

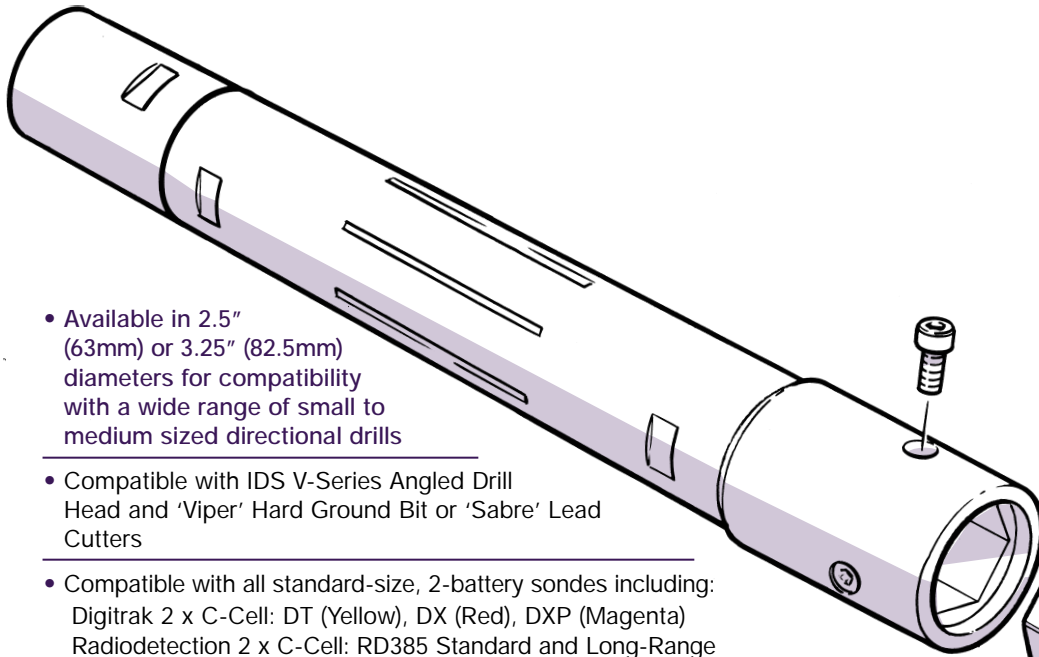


The IDS V-Series Pilot Boring System

'The ultimate pilot boring system for utility drilling applications'

IDS V-Series Sonde Housing Module (Patent applied for)

Product Code: SHV

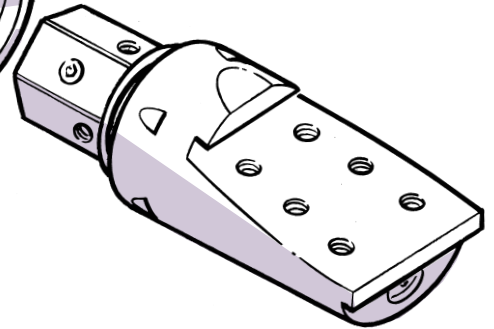


- Available in 2.5" (63mm) or 3.25" (82.5mm) diameters for compatibility with a wide range of small to medium sized directional drills
- Compatible with IDS V-Series Angled Drill Head and 'Viper' Hard Ground Bit or 'Sabre' Lead Cutters
- Compatible with all standard-size, 2-battery sondes including: Digitrak 2 x C-Cell: DT (Yellow), DX (Red), DXP (Magenta) Radiodetection 2 x C-Cell: RD385 Standard and Long-Range
- Compatible with 'Subsite' sondes (3 1/4" only)
- Hex Quick-Release drill head connection provides fast, easy access to the sonde
- Multi-port, high-flow design permits unrivalled rates of fluid delivery
- Fluid ports around the sonde ensure continuous sonde cooling while drilling
- Adaptors available to a wide range of drill rod connections

V-Series Angled Drill Head (Patent applied for)

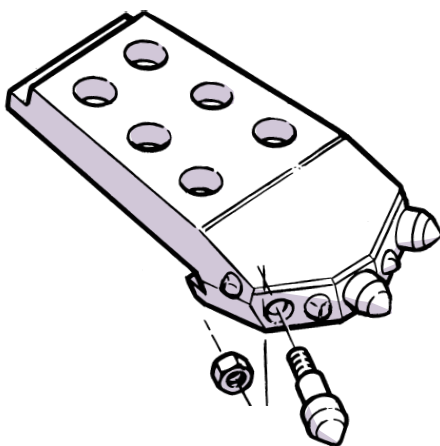
Product Code: DHV

- Features Hex Quick-Release connection for fast, easy detachment and access to the sonde
- Compatible with IDS 'Viper' Hard Ground Bit or 'Sabre' Lead Cutters for maximum versatility
- Features replaceable IDS TC Jet Nozzle



'Viper' Hard Ground Bit (Patent applied for)

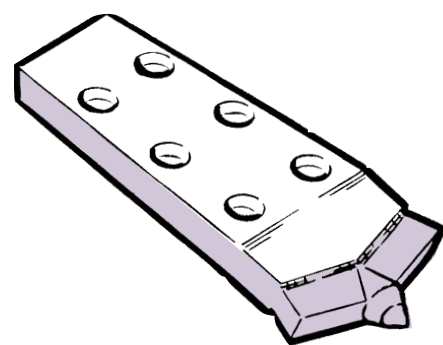
Product Code: VBV



- Provides superb penetration and steering in tough ground conditions
- Features easily replaceable TC Pick Teeth
- Heat-treated body with protective TC Inserts ensures maximum wear resistance

'Sabre' Lead Cutter (Patent applied for)

Product Code: LCV



- Provides superb cutting and steering in soft-medium ground conditions
- Features heavy-duty TC-impregnated cutting blade