



International Drilling Services Ltd,
Carrwood Road, Chesterfield Trading Estate,
Sheepbridge,
Chesterfield,
S41 9QB. UK

Telephone +44 (0) 1246 269911
Fax +44 (0) 1246 269922

PART NUMBER: PS240G

REVISION: 1c

DESCRIPTION: 240 Tonne Generic Power Swivel (GPS)

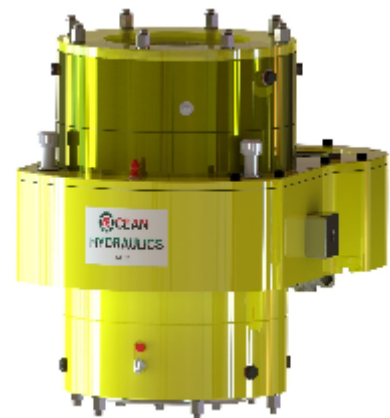
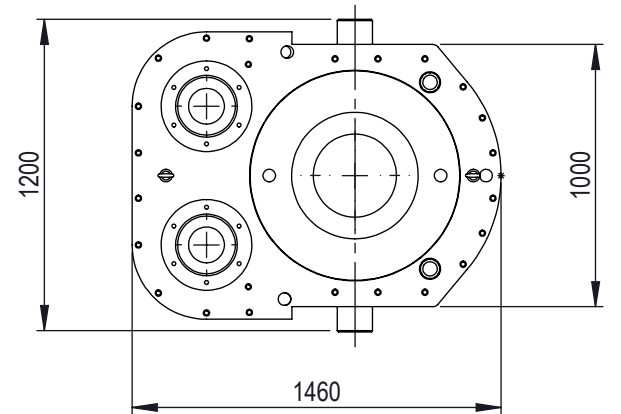
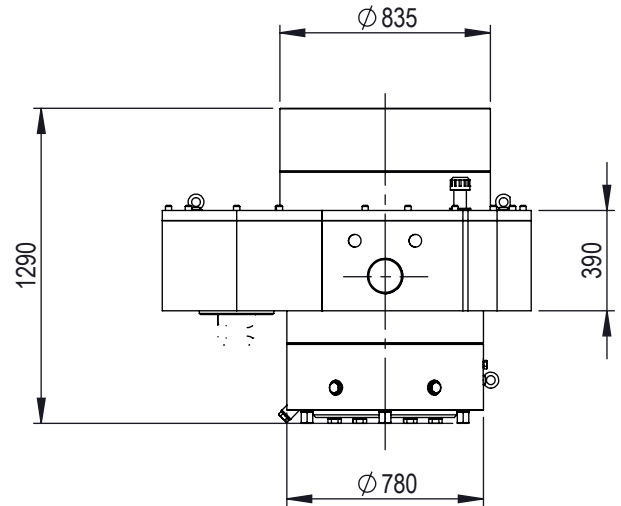
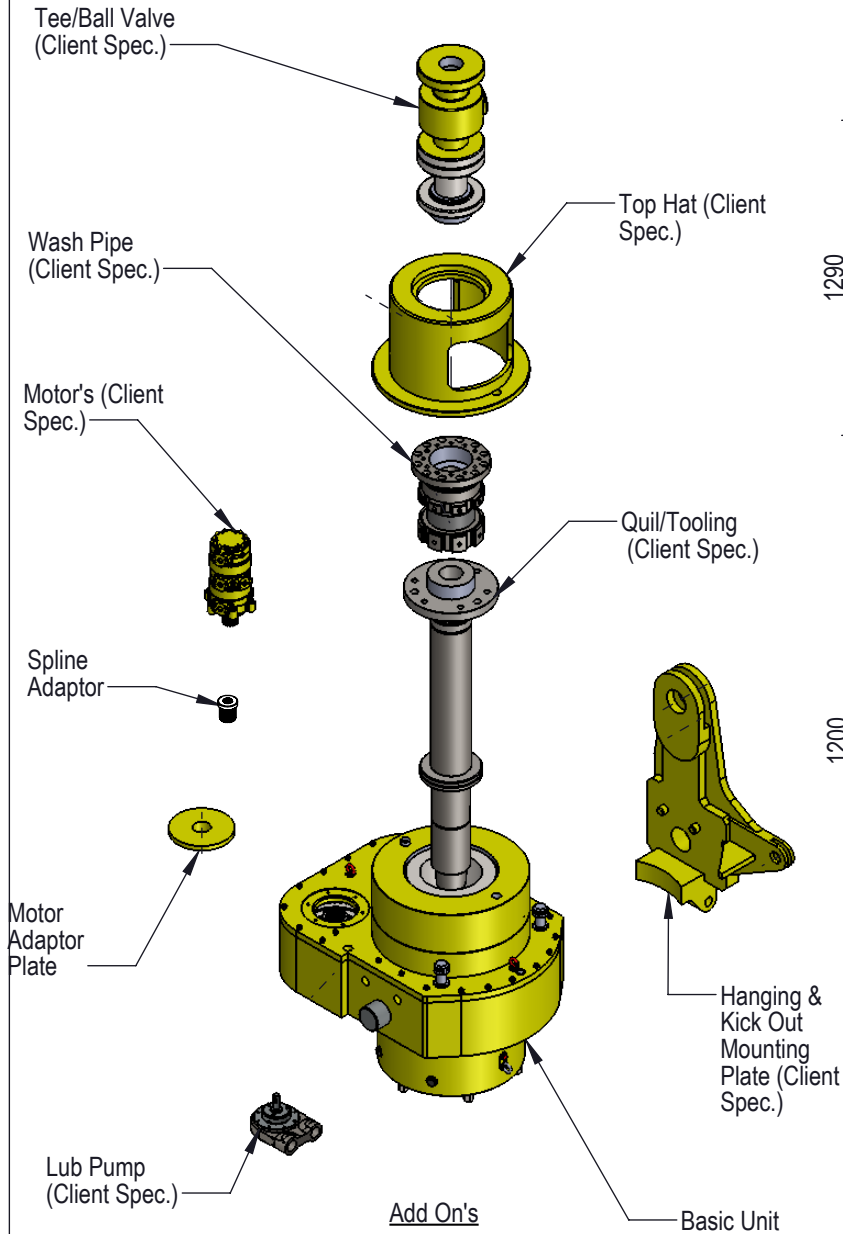
MATERIAL: API 5L:X52 & BSEN 10025 S355J2

STANDARD: DNV No. 2.22 Lifting Appliances

DATE OF ISSUE: 02/09/2015

SHEET: 1 OF 1

NOTES:



Basic Unit

Technical Equipment Specification

SELECTABLE LOGIC CONTROL ON ONE TO FOUR SEGMENT DRIVE
HYDRAULIC SUPPLY 600LPM @ 300 bar
TORQUE'S UPTO 77000 Nm*
SPEED'S UPTO 250 RPM SPINDLE*
HOOK LOAD 240 Tonne
WEIGHT 4.5 Tonne (Basic Unit)
MAX TOOL DIA 12"

*Parameters Above Are Dependent Upon PS/Motor Selection/Configuration

Information Presented On This Data Sheet, Shall Not Be Interpreted As An Offer Or Form Any Part Of A Contract