



International Drilling Services Ltd,
Carrwood Road, Chesterfield Trading Estate,
Sheepbridge,
Chesterfield,
S41 9QB. UK

Telephone +44 (0) 1246 269911
Fax +44 (0) 1246 269922

PART NUMBER: PS 70 Sht 1

REVISION: 1

DESCRIPTION: 70 Tonne Power Swivel (PS)

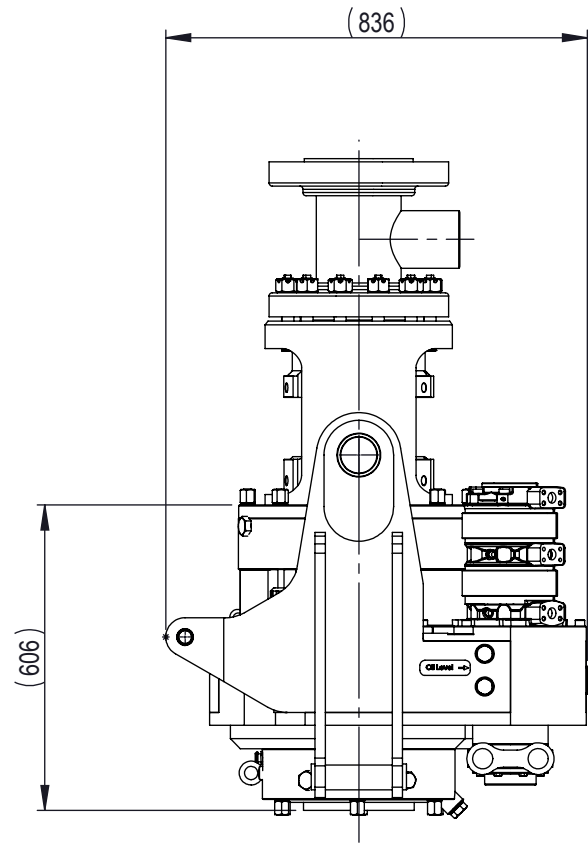
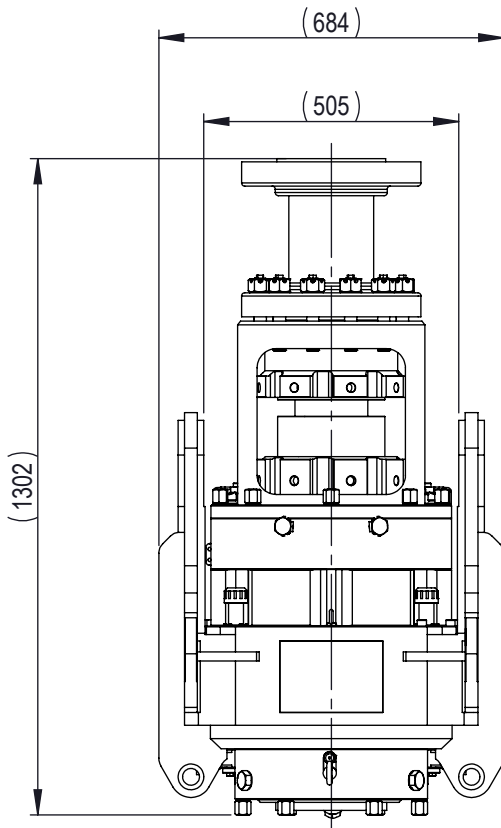
MATERIAL: API 5L:X52 & BSEN 10025 S355J2

STANDARD: DNV No. 2.22 Lifting Appliances

DATE OF ISSUE: 02/09/2016

SHEET: 1 OF 3

NOTES:



Technical Equipment Specification

SELECTABLE LOGIC CONTROL ON ONE TO FOUR SEGMENT DRIVE
HYDRAULIC SUPPLY 400LPM @ 300 bar
MAX TORQUE (4 SEGMENTS) 22,500 Nm @ 50 RPM SPINDLE
MAX SPEED (1SEGMENT) 6,250 Nm @ 280 RPM SPINDLE
HOOK LOAD 70 Tonne
WEIGHT 3.8 Tonne
MAX TOOL DIA6"

Parameters Above Are Dependent Upon PS Configuration

Information Presented On This Data Sheet, Shall Not Be Interpreted As An Offer Or Form Any Part Of A Contract