



International Drilling Services Ltd,
 Carrwood Road, Chesterfield Trading Estate,
 Sheepbridge,
 Chesterfield,
 S41 9QB. UK

Telephone +44 (0) 1246 269911
 Fax +44 (0) 1246 269922

PART NUMBER: PS240

REVISION: 1

DESCRIPTION: 240 Tonne Power Swivel (PS)

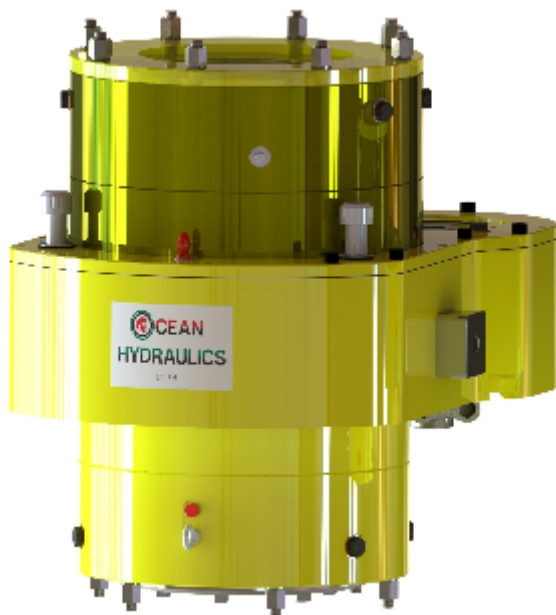
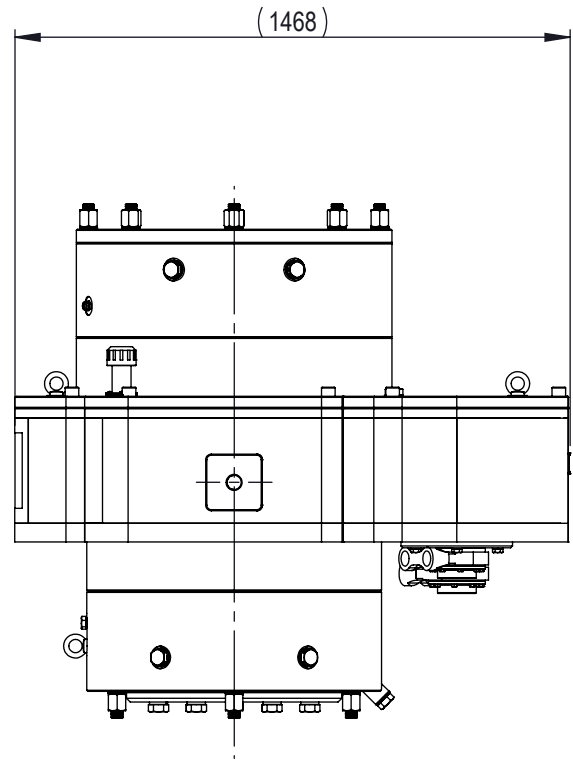
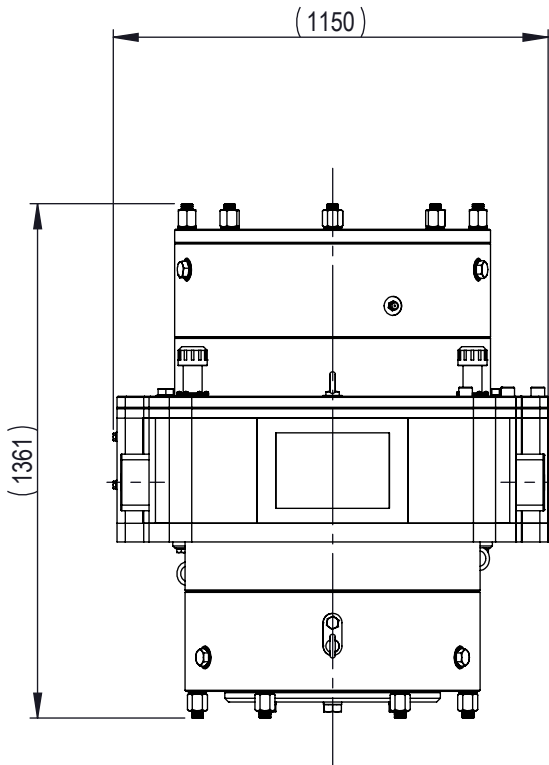
MATERIAL: API 5L:X52 & BSEN 10025 S355J2

STANDARD: DNV No. 2.22 Lifting Appliances

DATE OF ISSUE: 02/09/2015

SHEET: 1 OF 1

NOTES:



Technical Equipment Specification

SELECTABLE LOGIC CONTROL ON ONE TO FOUR SEGMENT DRIVE
 HYDRAULIC SUPPLY 600LPM @ 300 bar
 MAX TORQUE (4 SEGMENTS) 35,600 Nm @ 50 RPM SPINDLE
 MAX SPEED (1 SEGMENT) 8,900 Nm @ 250 RPM SPINDLE
 HOOK LOAD 240 Tonne
 WEIGHT 4.6 Tonne
 MAX TOOL DIA 12"

Parameters Above Are Dependent Upon PS Configuration

Information Presented On This Data Sheet, Shall Not Be Interpreted As An Offer Or Form Any Part Of A Contract