



International Drilling Services Ltd,  
Carrwood Road, Chesterfield Trading Estate,  
Sheepbridge,  
Chesterfield,  
S41 9QB. UK

Telephone +44 (0) 1246 269911  
Fax +44 (0) 1246 269922

PART NUMBER: PS140 Sht 1

REVISION: 1

DESCRIPTION: 140 Tonne Power Swivel (PS)

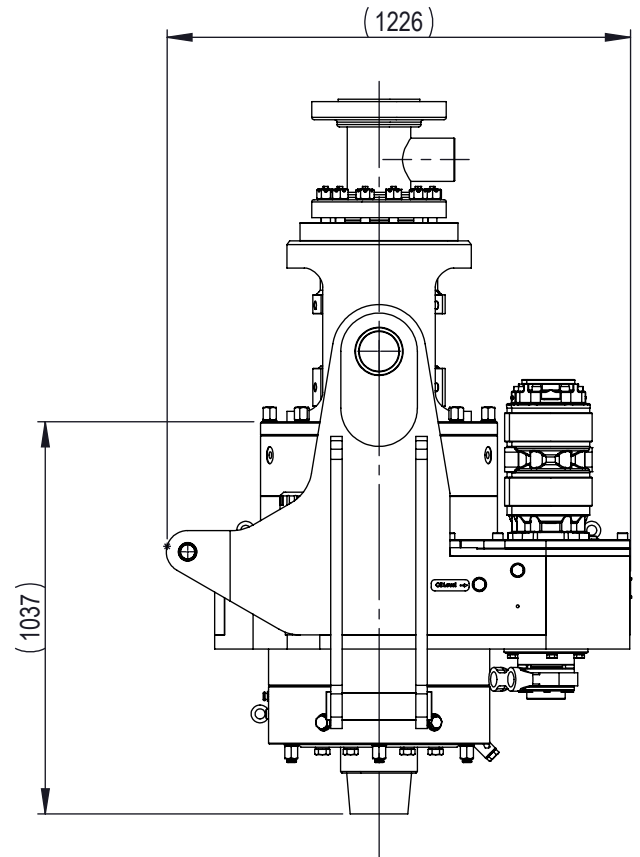
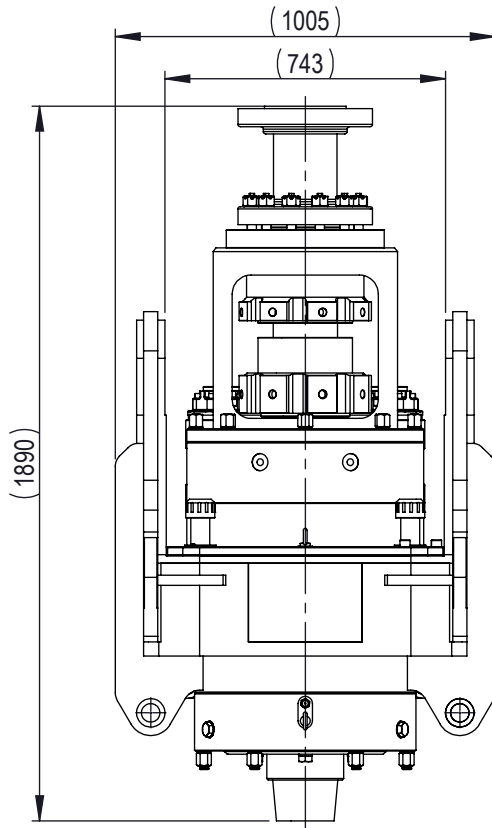
MATERIAL: API 5L:X52 & BSEN 10025 S355J2

STANDARD: DNV No. 2.22 Lifting Appliances

DATE OF ISSUE: 02/09/2015

SHEET: 1 OF 3

NOTES:



#### Technical Equipment Specification

SELECTABLE LOGIC CONTROL ON ONE TO FOUR SEGMENT DRIVE  
HYDRAULIC SUPPLY 600LPM @ 300 bar  
MAX TORQUE (4 SEGMENTS) 25,000 Nm @ 50 RPM SPINDLE  
MAX SPEED (1SEGMENT) 8,900 Nm @ 250 RPM SPINDLE  
HOOK LOAD 140 Tonne  
WEIGHT 4.8 Tonne  
MAX TOOL DIA 6"

Parameters Above Are Dependent Upon PS Configuration

Information Presented On This Data Sheet, Shall Not Be Interpreted As An Offer Or Form Any Part Of A Contract