

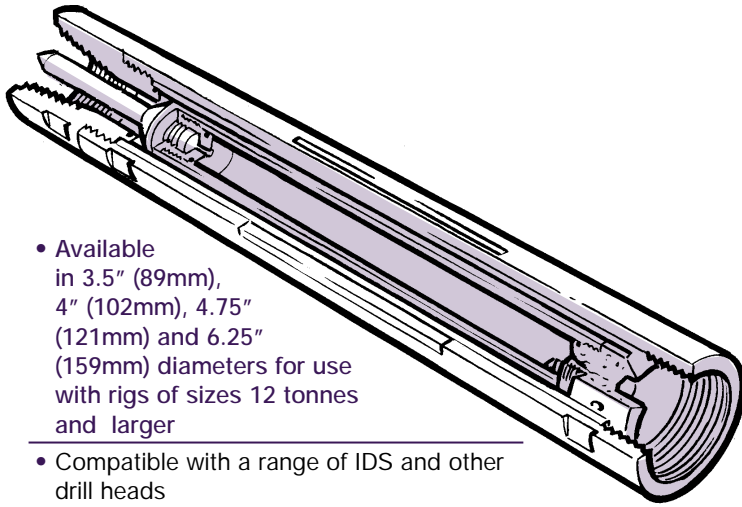


# The IDS 'Universal' Pilot Boring System

'A uniquely versatile solution for all-ground drilling with walk-over detection systems'

## IDS Universal Sonde Housing Module

Product Code: SHU



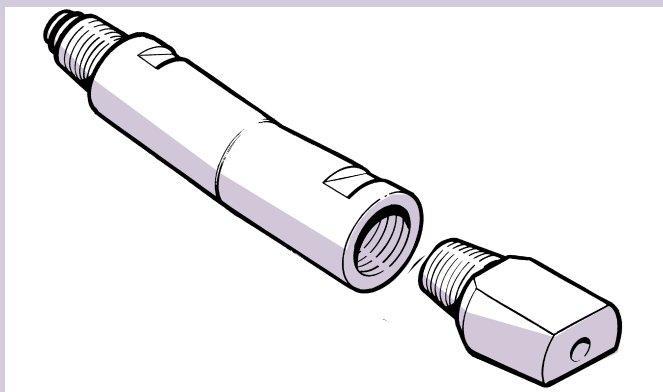
- Available in 3.5" (89mm), 4" (102mm), 4.75" (121mm) and 6.25" (159mm) diameters for use with rigs of sizes 12 tonnes and larger
- Compatible with a range of IDS and other drill heads
- Compatible with Mud Motors for cost-effective rock drilling
- Compatible with an unrivalled range of sondes, including:
  - Digitrak 2 x C-Cell: DT (Yellow), DX (Red), DXP (Magenta)
  - Digitrak 4 x C-Cell: D4X (Red), D4XP (Magenta)
  - Digitrak Cable: DC (Green), DCP (Magenta)
  - Radiodetection 2 x C-Cell: RD385 Standard and Long-Range
  - Subsite: compatibility available upon request
- Fully-sealing Sonde Capsule provides total sonde protection during operation
- High-flow design permits unrivalled rates of fluid delivery
- Fluid flow around the sonde provides continuous sonde cooling while drilling
- Adaptors available to a wide range of drill rod connections

## Bent Jet Tube and Detachable Jet Head

Product Codes:

Jet Tube: JTU

Angled Jet Head: JHAU

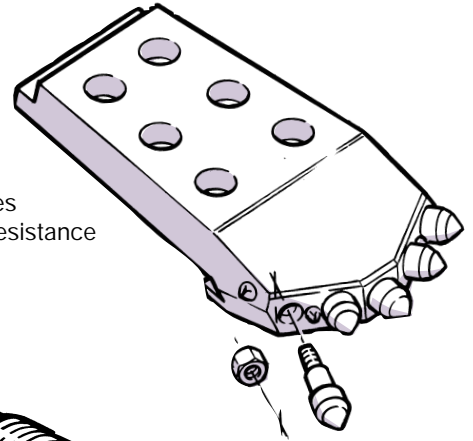


- 2° bent Jet Tube
- Jet Tube compatible with Detachable Jet Head or aligned Rock Bit (for mixed-formation drilling)
- Detachable Jet Head features replaceable IDS TC Jet Nozzle

## 'Viper' Hard Ground Bit (Patent applied for)

Product Code: VBU

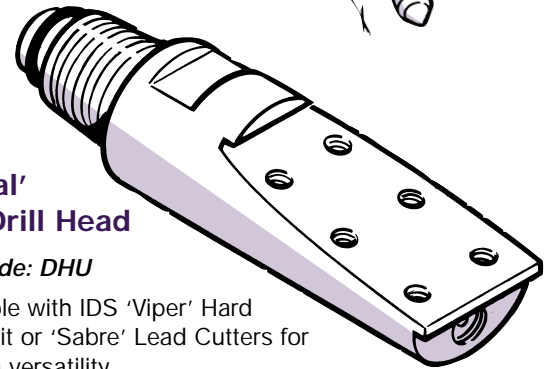
- Provides superb penetration and steering in tough ground conditions
- Features easily replaceable TC Pick Teeth
- Heat-treated body with protective TC Inserts ensures maximum wear resistance



## 'Universal' Angled Drill Head

Product Code: DHU

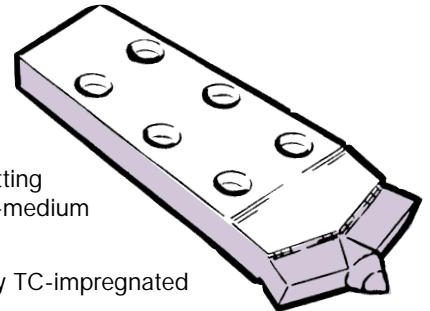
- Compatible with IDS 'Viper' Hard Ground Bit or 'Sabre' Lead Cutters for maximum versatility
- Features replaceable IDS TC Jet Nozzles



## 'Sabre' Lead Cutter

Product Code: LCU

- Provides superb cutting and steering in soft-medium ground conditions
- Features heavy-duty TC-impregnated cutting blade



## Indexing Sub

Product Code: ISU

- Integral 'Sonde Alignment Mechanism' permits accurate sonde realignment after coupling
- Required for use of Universal Sonde Housing Module with Mud Motors or non-dedicated Drill Heads

